

# LGX<sup>®</sup> Fiber Optics Shelves (Slack Storage)



A Furukawa Company

## Product Description

The LST1LP Shelf is ready to be mounted into a 23-inch (58.4 cm) frame (19-inch frame mounting is possible with optional brackets). These shelves are equipped two pivoting trays. Each tray will accommodate up to 150 feet of 3.0 mm slack jumper cordage. Five bend limiting drums are included with each tray to prevent bending fibers less than 3-inch (7.62 cm) diameter. The dimensions of these shelves are 17 inches wide by 11.5 inches deep by 2.5 inches high. This shelf has the exact same profile of the LGX<sup>®</sup> shelves.

Product Code: LST1LP-10/2.5  
Comcode: 106 795 057

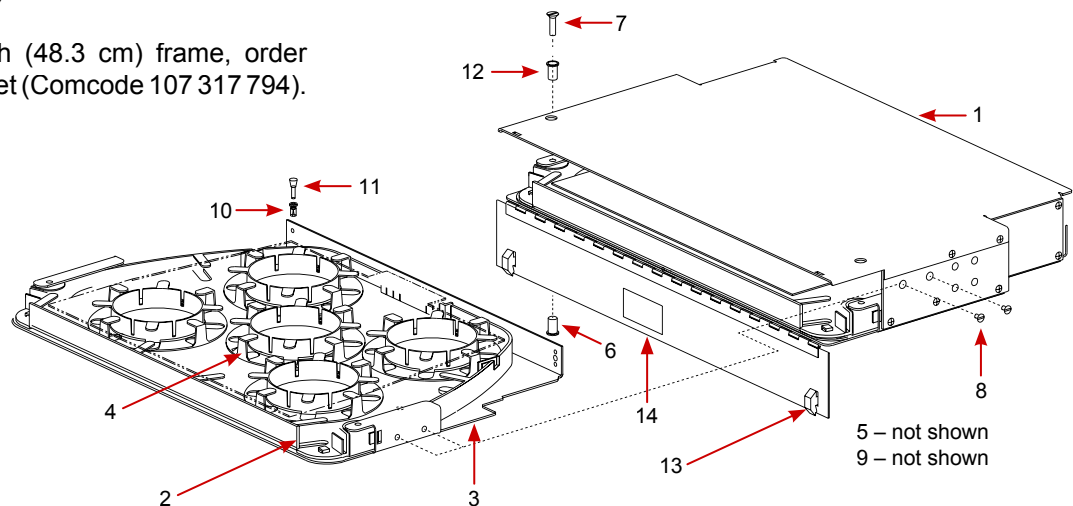
**Note:** If mounting into 19-inch (48.3 cm) frame, order optional mounting bracket (Comcode 107 317 794).

### Attributes:

- Strictly slack storage
- 2.5" high (6.3 cm)
- 17" wide (43.2 cm)
- 11.5" deep (27.9 cm)
- 19" or 23" Frame Mount



LST1LP Shelf shown closed



### Stock List

Item	Quantity	Description	Item	Quantity	Description
1	1	Shelf rivet assembly	9	12	Screw, flat head #12-24 X 3/8 lg (not shown)
2	2	Tray sub-assembly	10	10	Nylatch grommet HN3G-32-2
3	1	Tray support sub-assembly	11	10	Nylatch plunger HN3G-32-4-2
4	10	Drum, 3"	12	2	Pem stand-off, 5/16 lg
5	2	Mounting bracket, 2.5" shelf (not shown)	13	2	Slide latch
6	2	Pem stand-off, 5/8 lg	14	2	Label
7	2	Screw, pan head #10-32 X 3/4 lg	N/A	1	Instruction sheet
8	4	Screw, flat head #6-32 X 1/4 lg			

LGX is a registered trademark of OFS FITELE, LLC.

For additional information please contact your sales representative. You can also visit our website at [www.ofsoptics.com](http://www.ofsoptics.com) or call 1-888-fiberhelp (1-888-342-3743) from inside the USA or 1-770-798-5555 from outside the USA.

OFS reserves the right to make changes to the prices and product(s) described in this document at any time without notice.



Use electronic files, available at:  
[www.ofsoptics.com](http://www.ofsoptics.com) - Use less paper

This document is for informational purposes only and is not intended to modify or supplement any OFS warranties or specifications relating to any of its products or services.

Copyright © 2009 OFS FITELE, LLC.  
All rights reserved, printed in USA.

Marketing Communications  
fap-244-1009